

REGISTRATION FORM

Name :
Designation :
Institution/
Organisation :
Postal Address :
Telephone :
Email address :
Is accommodation required? Yes [] No []

DD Details :
DD No. _____ dated

Bank

(Crossed Demand Draft in favour of
“Society of Instrumentation and Control
Engineers” payable at Chennai, India)

Declaration:

I hereby declare that the given
information are true to the best of my
knowledge.

Place:

Date: Signature of the participant

Convener

Dr.P.K.Jawahar
Dean (Student Affairs) & HOD/EIE

Co-ordinators

Ms.P.R.Hemavathy
Asst.Professor(S.G), EIE Dept.
Mobile: 9841232253

Ms.M.S.Murshitha Shajahan,
Asst.Professor(S.G), EIE Dept.
Mobile: 9840582400

List of Speakers

Dr.D. Vasanthi
Associate Professor,
Anna University, MIT Campus,
Chennai.

Dr. M. GuruPrasad
Managing Partner,
SMARTA-Opti Solution, Chennai.

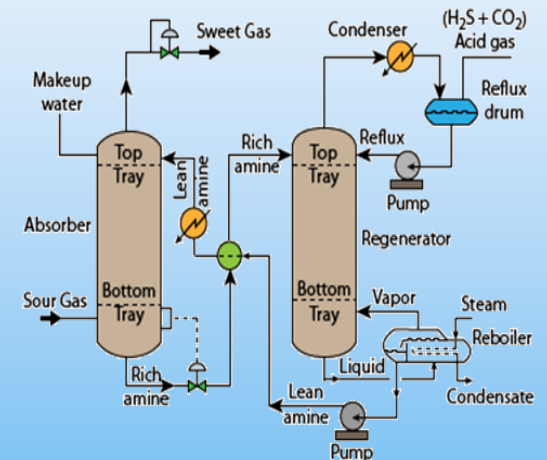
Address for Correspondence:

The Head Of the Department,
Electronics and Instrumentation Engineering,
B. S. Abdur Rahman Crescent University,
Vandalur, Chennai – 48.

e-mail: crescentuniversityeie@gmail.com



One Day Workshop on Multivariable Process control 22nd September 2017



Organized
by
Department of
Electronics and Instrumentation
Engineering
B. S. Abdur Rahman Crescent
University, Vandalur, Chennai – 48.
website: www.bsauniv.ac.in
e-mail: crescentuniversityeie@gmail.com

ABOUT THE INSTITUTION

B.S. Abdur Rahman Crescent University (formerly B.S. Abdur Rahman Crescent Engineering College) has been established under section 3 of the UGC Act 1956. Being one of the most sought after institution in India, B.S. Abdur Rahman Crescent University is committed to provide three dimensions of higher education Viz. Quality teaching, Innovative Research and Appropriate Applications of knowledge through Extension, Outreach and Consultancy Activities. The University has 11 schools comprising of 26 departments offering 11 undergraduate and 13 post graduate programmes, besides research programmes in all the department. All eligible programmes are accredited by National Board of Accreditation (NBA). The quality system of the Institute is ISO 9001:2008 certified. It is located in a sprawling green lush area, spanning 50.19 acres adjacent to the Arignar Anna Zoological Park in the GST Road (NH-45), Vandalur, Chennai, Tamil Nadu.

DEPARTMENT PROFILE

The Department of Instrumentation & Control Engineering was started in the year 1995. In the year 2009 the department was renamed to Department of Electronics & Instrumentation Engineering. At present the department of EIE offers B.Tech (Electronics and Instrumentation Engineering) and M.Tech (Electronics and Instrumentation Engineering) which are accredited by NBA.

The department has excellent infrastructure with sophisticated equipments procured from reputed companies around the world. Qualified and experienced faculty members are an asset to the department. It endeavors to promote interaction with the industry and to take up R&D activities for the betterment of society.

ABOUT THE WORKSHOP

The multivariable Process control plays a vital role in implementing wide range of techniques and technologies in Industrial Process control. The common objective in any Process Industry is to manage complex interactions within a process in such a way to reduce process variability and allow the plant to run closer to the operating constraints. One of the important advanced control techniques is model predictive control (MPC), hence this Workshop focuses to provide wide knowledge in designing Advanced Control techniques for Multivariable processes. It is believed that the workshop will provide a platform for Researchers, Academicians, Industry persons and Students to acquire knowledge on multivariable process control techniques.

COURSE OUTLINE

FORENOON SESSION:

- Introduction to Multivariable Control System.
- Implementation of Multiloop, Multivariable PI/PID Control for Benchmark problem using Matlab/Simulink.[Hands-on]

AFTERNOON SESSION:

- Introduction to Model Predictive Control.
- Model Identification and Control for an Industrial Process using Matlab/Simulink.[Hands-on]

REGISTRATION FEE:

Academicians/Research Scholars	: Rs.300/-
P.G Student	:Rs.250/-
U.G. Students	:Rs.200/-
Industry Persons	:Rs.600/-

IMPORTANT DATES:

Last Date for Submission of Registration Form along with D.D	: 18/09/17
Selection Intimation	: 19/09/17
Confirmation from Participant	: 21/09/17

The number of seat is limited and the participant will be chosen on first come first serve basis.

Spot Registration: Feel Free to Contact.